

Fastman Consulting and Solutions

ECM Suite 2010 Transition for Livelink

ECM Suite 2010 is OpenText's premier ECM product line and the leading ECM platform globally. Organisations operating Livelink/Content Server version 9.7.1 or below should plan to upgrade to the latest recommended version of Content Server before support expires (currently scheduled for the end of January 2013 for LL9.7.1).

Fastman can use its migration and upgrade experience to successfully transition organisations from previous versions of Livelink to the OpenText ECM Suite 2010 with a well structured and tested transition service. The advantages of doing so includes:

- Performance improvements of up to 40% over previous versions of Livelink for uploading and accessing documents
- Maintaining your environment in line with the current production release of the Open Text ECM platform
- Support for the latest desktop and business applications
- Greater flexibility to manage and control your retention and disposition program
- Lower IT capital operating costs with full support for platform virtualisation and system processing improvements that simplifies the environment architecture
- Support for 64-bit servers and in 2012, 64-bit MSOffice
- Mobile access from iPad, iPhone and Blackberry
- An improved UI, and access to Enterprise Connect as a client

White papers, documentation, and more information is available on request



Complete Content Management



FastMan
Consulting and Solutions

ECM Suite 2010 Transition for Livelink

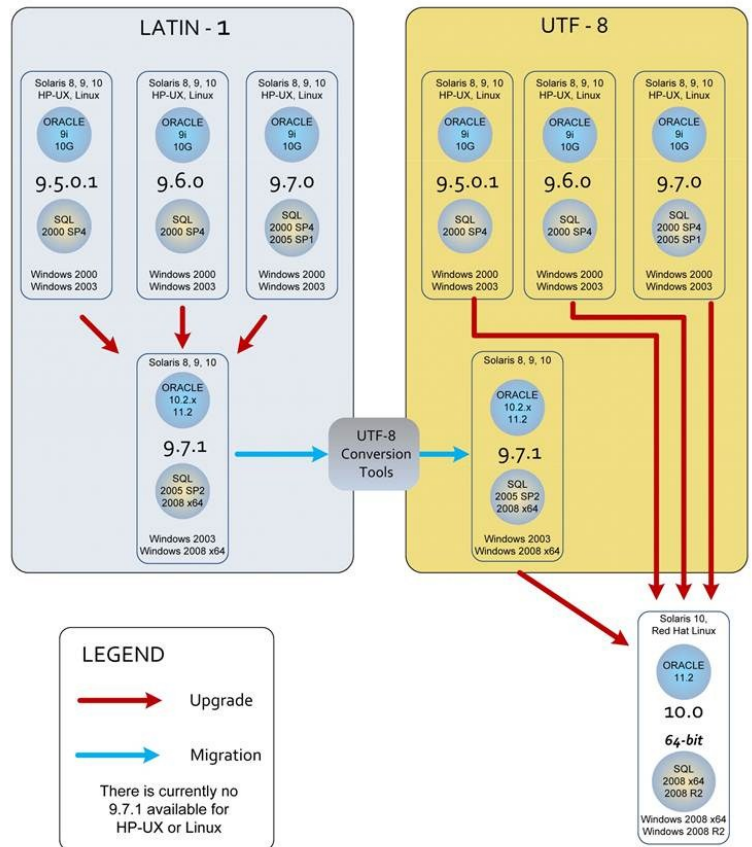
The Fastman ECM Suite 2010 Transition service for Livelink follows the standard OpenText methodology from their upgrade centre. It is based on two stages, Foundation, and Transition.

Stage 1 – Foundation involves validating the target environment, identifying architecture efficiency gains and changing business requirements, and confirming database and client versions and other prerequisites or drivers, such as OpenText ECM Suite 2010 64-bit server support, or environment virtualisation opportunities.

Stage 2– Transition is initiated after all preliminaries have been completed and encompasses the full upgrade cycle, including the deployment of a new client, such as Enterprise Connect, and additional modules and features as agreed.

A planned approach to upgrading to Content Server 10, as part of Open Text's ECM Suite 2010, will reduce business risk and revitalise the value of Content Management to your Organisation.

UPGRADE PATH TO CONTENT SERVER 10.0



13 William St
Cremorne Victoria 3121
P.O. Box 156
Surrey Hills Victoria 3127
Australia

Phone: +61 3 9274 3900
Fax: +61 3 9274 3999
E-mail: sales@fastman.net.au
Web: www.fastman.net.au

FastMan
Consulting and Solutions